

Socket assembly adjustable on lamp rod and mounting strap for ideal lamp height

Socket (lamp) height adjustment options:

- Rotate threaded brass lamp rod holding socket
- Move brass nuts on lamp rod and re-secure
- Fine tune by bending stainless mounting strap

LED bipin lamp - 12 volt standard

- Position LED just above design space for max light spread, position lamp higher to reduce glare
- Use single LED lamp for best shadow pattern

## 6x6 Series: Grande Beacon and Beacon - Installation

Beacon = 6x6x13 inch  
Grande Beacon = 6x6x19 inch

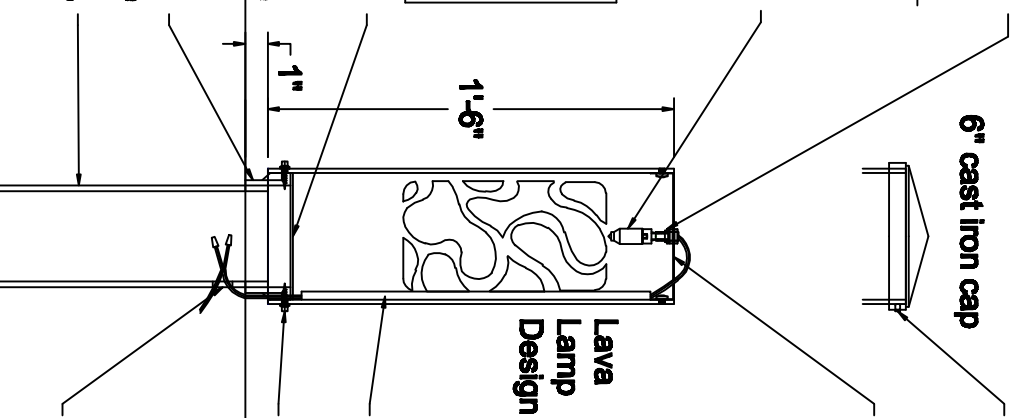
False bottom plate (option) covers ABS base  
- Maintenance: remove debris

Lifetime Guarantee Void if soil covers fixture

metal base - Cover ABS base with mulch

ABS coupling fits over pipe/stake,  
option - glue

ABS 3" pipe/stake,  
option - backfill with concrete for extra stability



6" cast iron cap



1/4" Set Screw - use 1/8" hex key to secure cap

- Maintenance: lubricate threads at cap removal

Socket assembly mounting strap (stainless steel)

- If ABS pipe/stake was shipped inside light; Remove socket assembly to remove stake, then replace socket.

(Long blade philips screw driver works best)

- Maintenance: lubricate screws at lamp change

Lava  
Lamp  
Design

**Attraction Lights**  
www.AttractionLights.com  
info@attractionlights.com  
970-316-0019

Corner tube routes lead wires to base  
where they exit fixture corner

Hex screws (4) secure fixture to ABS coupling

Stake Install: The top of ABS stake will be at the bottom of the metal fixture after installed. Therefore, stake top should be 1" above soil.

Stake wiring hole, house wire connections in pipe