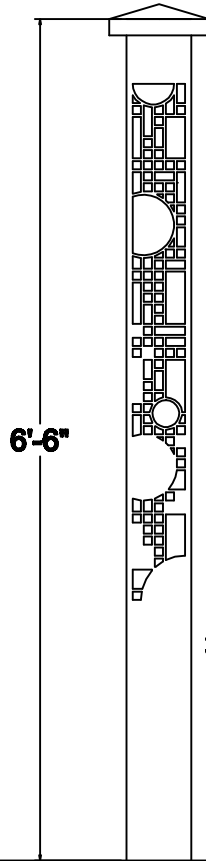
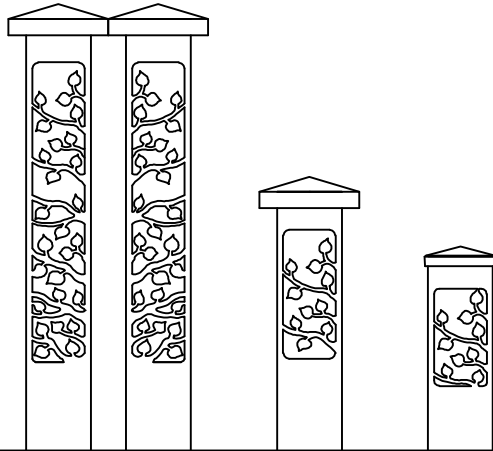




**Standard Sizes:**

- 6x6x80" Obelisk
- 6x6x42" Bollard
- 6x6x26" Mini Bollard
- 6x6x19" Grande Beacon

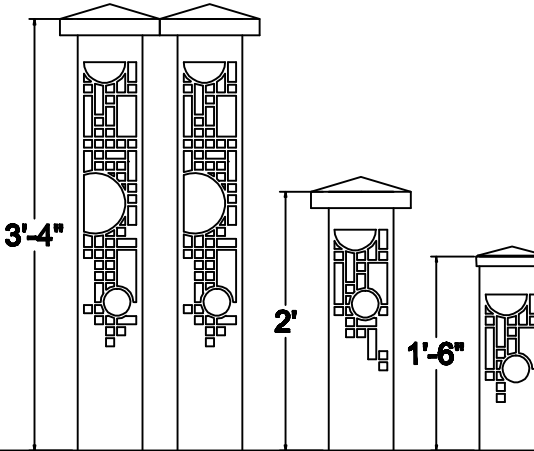
**Aspen Design**  
**Premium Price Group**  
 - 2 unique sides



**Optional Sizes:**

- Not typically stocked
- 6x6x32" Mini Bollard
- 6x6x13" Beacon
- Custom heights

**FLW Circles Design**  
**Premium Price Group**



**Attraction Lights**

**In Stock Designs, 6x6 Series**  
 See Galleries page for design photos  
 Lyle Braund - Design & Sales  
 970-316-0019  
[info@attractionlights.com](mailto:info@attractionlights.com)  
[www.AttractionLights.com](http://www.AttractionLights.com)

**Need your lights ASAP?**

- Choose from 5 designs shown
  - Check availability; go to website Pricing page (password protected) click on In Stock Fixtures tab
  - Confirm your order request  
 (Fixture counts are not auto updated)
  - If your light preference is not available inquire as to re-stocking time frame
  - Other designs and sizes may be available on short notice, change choice?
  - 4-6 weeks for cut-to-order lights
  - In Stock Fixtures ship within 1 week
  - Give as much advance notice as possible to receive your order sooner
- Thank You!